

Neue Regeln für die Unbekannten Programme

Ab 2021 werden die Unbekannten Programme im Prinzip nach dem gleichen Verfahren gehandhabt wie im Motorkunstflug. Hier eine kurze Zusammenfassung der wichtigsten Regeln:

Für jedes Programm sind separat sieben Figuren auszuwählen. Jedes Team kann je eine Figur vorschlagen. Wenn mehr als sieben Teams teilnehmen, lässt die Jury sieben Teams auslosen.

Nehmen weniger als sieben Teams teil, schlägt jedes Team auch nur eine Figur vor. Die restlichen Figuren bestimmt die Jury. Dabei müssen, soweit nötig, noch nicht erfüllte Reichhaltigkeitskriterien abgedeckt werden.

Diese Reichhaltigkeitskriterien sind zu erfüllen:

Familie	Advanced	Unlimited
2		mindestens eine Rollenkurve
5 oder 6	mindestens eine	mindestens eine
9.9 oder 9.10		mindestens eine ganze oder zwei halbe Rollen

K-Faktoren der Figurenvorschläge mindestens 17 höchsten 43 (ADV 10 bis 37).

Summe der K-Faktoren mindestens 180 höchstens 200 (ADV 150 bis 170).

Katalognummern dürfen in jedem Programm nur einmal verwendet werden; Ausnahme: Familien 1.1.1 und 9.

Komplette Figuren aus vorherigen Programmen dürfen nicht wieder verwendet werden; Ausnahme: Familien 5 und 6 nur Advanced.

Die von den Teams zu erstellenden Programme müssen aus den sieben ausgewählten Figuren und zusätzlich einer oder zwei "Linking Figures" bestehen. K-Faktoren der Linking Figures 2 x 5 oder 1 x 10.

Die Reihenfolge der Unbekannten Programme bleibt unverändert:

Unbekannte Pflicht 1

Free Unknown

Unbekannte Pflichten 2, 3 und 4.

Nachfolgend die originale Passage aus dem Sporting Code Part 2:

2.3 Unknown Compulsory and Free Unknown Programmes (Programmes 2 through 6)

2.3.1 Figure Selection

2.3.1.1 For Programmes 2 through 6, figures will be chosen separately for each Programme from Appendix A. A total of 7 figures must be selected. A representative of every NAC which has a pilot (or pilots) competing (except as *Hors Concours*) may submit one figure, unless there are more than 7 NACs participating.

2.3.1.2 If there are pilots competing from more than 7 NACs, 7 such NACs will be selected to nominate figures for each Unknown Programme. The International Jury shall draw lots as necessary to determine which NACs shall choose figures and in which order.

2.3.1.3 If there are pilots from fewer than 7 NACs participating, their representatives will still select only one figure each. The remaining figures will be selected by the International Jury. These figures must cover Families not already represented (if any). Repetition of Catalogue numbers is not allowed throughout the nominated figures.

2.3.1.4 The 7 selected figures must comprise:

Family	Advanced	Unlimited
2		at least one rolling turn
5 or 6	at least one	at least one
9.9 or 9.10		at least one full or two half flicks

The minimum acceptable K for each figure is 17 ("AG" 10)

No figure may be selected with a K higher than 43 ("AG" 37)

The sum K-Factor of the 7 figures must not be less than 180 and more than 200 ("AG" 150-170).

Repetition of any manoeuvre with the same catalogue number is not allowed within any one Programme except Families 1.1.1 and 9. Repetition of complete figures from previous Programmes is not allowed in subsequent Programmes (except Families 5 and 6 "AG" only).

2.3.1.5 Figures shall be selected taking into account the flight characteristics and operating limits of competing gliders and the safety of all pilots. If the representative of a team or an individual competitor is able to show within 30 minutes from the completion of figure selection that a selected figure may exceed the operating limits of competing gliders, the International Jury will ask the team which proposed this figure either to replace or modify it. After this time (30 min.) the figure selection is considered final.

2.3.1.6 If in the course of figure selection it becomes obvious that with the figures proposed it will not be possible to fulfill either the minimum or maximum total K-factor, the jury will advise NACs to replace either the lowest or highest K figures. If it is obvious that with the proposed figures no reasonable sequence can be composed, the jury will encourage NACs to modify their figures accordingly.

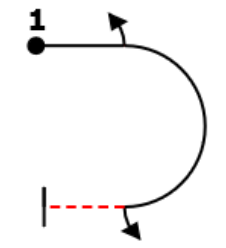
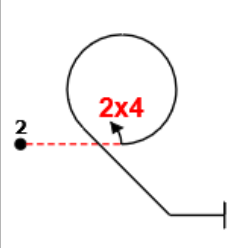
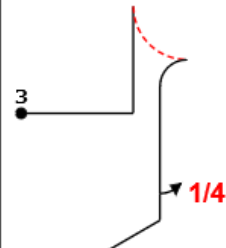
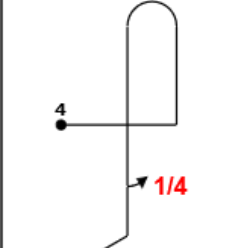
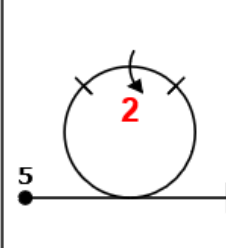
2.3.2 Sequence Submission

2.3.2.1 Teams will submit sequences using the 7 figures officially selected. One or two linking figures from the current Aresti System (Condensed) Glider Version must be added. The K-Factor of the linking figures is 5 K each for two figures or 10 K for one figure. In sequence composition, figures may be used starting from one or the other axis. Nevertheless, figures with their entry and exit on the same axis must maintain their construction as submitted, i.e. with the exit flight path in the entry direction or with the direction of flight reversed as originally drawn.

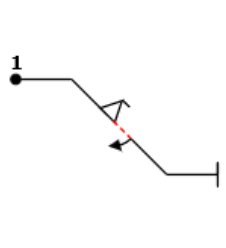
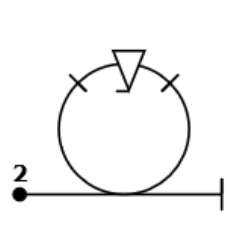
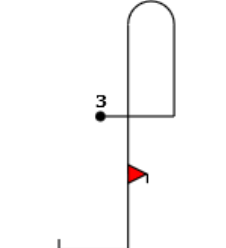
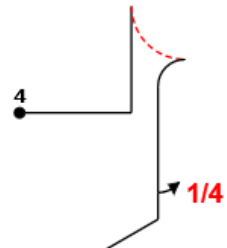
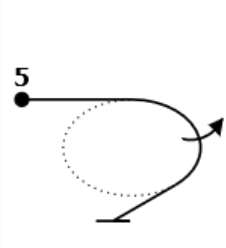
2.3.2.2 The Contest Director will announce the deadline for submitting sequences. Proposals must contain complete pages of all five forms A, B and C as well as L and R. Computer files must be submitted, using a CIVA-approved software.

Bekannte Pflichtfiguren 2021 (unverändert von 2020)

Advanced K=97

 <p>Fig A 7.2.4.3(6) 9.1.3.2(6) 9.1.3.2(6) K: 18</p>	 <p>Fig B 8.7.7.2(11) 9.4.3.2(8) K: 19</p>	 <p>Fig C 6.2.2.1(17) 9.1.5.1(3) K: 20</p>	 <p>Fig D 8.4.1.1(13) 9.1.5.1(3) K: 16</p>	 <p>Fig E 7.4.1.1(10) 9.2.3.4(14) K: 24</p>
---	---	---	--	--

Unlimited K=120

 <p>Fig A 1.1.2.3(7) 9.9.4.2(12) 9.1.4.2(6) K: 25</p>	 <p>Fig B 7.4.1.1(10) 9.9.3.4(16) K: 26</p>	 <p>Fig C 8.4.1.1(13) 9.10.10.2(15) K: 28</p>	 <p>Fig D 6.2.2.1(17) 9.1.5.1(3) K: 20</p>	 <p>Fig E 2.1.3.3(21) K: 21</p>
---	---	---	---	---